



hh simonsen®



[PROFESSIONAL HAIR TRIMMER]

MIDI TRIMMER

INDEX

06 English (Translation of the original operating instructions of the trimmer)

18 Dansk (Oversættelse af den originale brugsanvisning trimmer)

32 Deutsch (Originalbetriebsanleitung Trimmer)

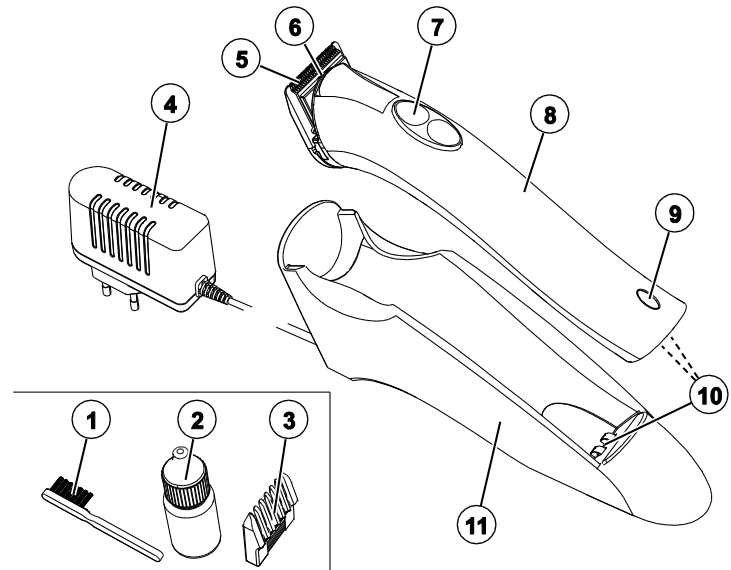
46 Italiano (Traduzione delle istruzioni per l'uso originali del Trimmer)

60 Español (Traducción del manual de instrucciones original de la máquina cortapelo Trimmer)

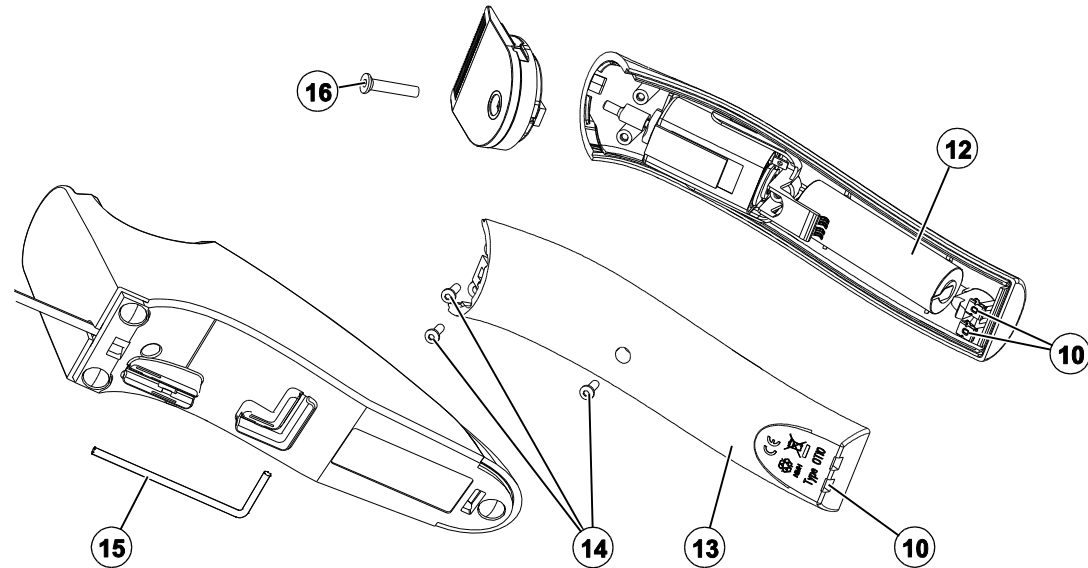
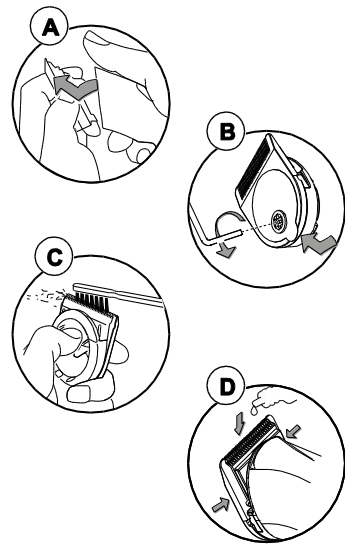


HH SIMONSEN

MIDI TRIMMER



hh simonsen®



hh simonsen®

English

Safety 7

 Intended purpose 7

 Symbols and signal words..... 7

 Laws and standards 11

Scope of delivery..... 11

Preparation 12

 Installing the charger 12

 Charging the batteries 12

 Removing the sticker from the knife head..... 12

Operation 13

 Adjusting the cutting length 13

 Switching the device on and off..... 13

Cleaning, maintaining, storing..... 13

 Cleaning the device..... 13

 Cleaning the knife head 13

 Oiling the knife head 14

 Cleaning the contacts 14

 Storing 14

Troubleshooting 15

 What to do if 15

 The device switches off automatically 15

 Spare parts 16

Technical data 16

Disposal 16

Warranty 17

Safety

Intended purpose

The device may only be used for cutting human hair.
The device is designed for indoor use only.
The device is developed for professional use in hairdressing salons.

Symbols and signal words

You can find the following safety instructions in these directions for use:

 **WARNING**

The signal word **WARNING** indicates possible hazard.
Failure to follow the instructions can lead to death.

 **CAUTION**

Signal word **CAUTION** indicates possible hazard.
Failure to follow instructions can lead to slight injuries.

! Attention

Signal word **Attention** indicates possible material damage.
Failure to follow instructions can damage the device.

 **Environmental protection**

The word **Environment protection** indicates information about environment protection.

 **Notice**

The word **Notice** indicates additional information about the device and its use.

 **WARNING**

Electric shock!

- Do not use the device in the proximity of bathtubs, showers, wash basins or other receptacles containing water.
- Keep the device, the charger and the power cable away from humidity, water and other liquids and do not

- operate it with wet hands.
- Do not immerse the device, the charger and the power cable in water.
- Do not rinse it under flowing water.
- Do not use the device any longer if it falls in water.
- The device must be switched off and disconnected from the mains, if the device has to be cleaned, oiled or serviced.
- If a fault occurs during charging or cable operation, pull out the plug-in power supply unit immediately from

- the socket.
- Do not use the device if the device, the knife head, the charger, the battery or the power cable are damaged or electric parts are exposed. Disconnect the device immediately from the mains and inform service (see reverse page of this manual)!

⚠ CAUTION

Risk of injury through the knife head!

- Do not grip in or on the knife.

- Disconnect the device when you lay it aside or insert or remove a comb attachment.

⚠ CAUTION


Swallowing of small parts!

- Store the device out of the reach of children.
- Keep packaging material e.g. films away from the children.

! Attention

Material damage!

- The device may only be operated

with original mains parts. If the device has the  T10 marking, each mains part of the T10 model can be used.

- Do not expose the device to temperatures below 0 °C or above +40 °C for longer periods.
- Avoid direct sunlight.
- Knife head is a precision part. Protect it from damages.
- The device may only be repaired by authorised service (see reverse side of this manual).
- Protect the power cable from

damages. Never pull out the power cable.

- Hold the plug-in power supply unit when you pull it out from the socket.
- Do not dismantle the knife head.
- Never try to remove dust or foreign objects from the insides using sharp objects.
- Do not use any aggressive or scratching detergent for cleaning the device. Due to the availability of different care and cleaning products, it is possible that rubber feet below the charger are damaged by these

products and residues are left behind on the subsurface.

CAUTION

This device can be used by children above 8 years and by persons with physical, sensory or mental disabilities or limited experience and knowledge, when they are supervised or are instructed about the safe use of the device and the hazards resulting therefrom. Children may not be allowed to play with the device. Cleaning and user maintenance may not be done by

children without being supervised.

► Notice

Additional protection is provided by fitting a residual-current-operated protective device with a nominal trip current of less than 30 mA in the domestic installation.

We recommend that you get the circuits secured with a residual current protection by a qualified electrician.

Laws and standards

Safety of this electronic device complies with the recognised rules of technology and the German Equipment Safety Act. Indicator lights like LEDs or infrared lights do not exceed laser class 1 in accordance with IEC 60825-1.

This product complies with CE-marking.



Scope of delivery

Model OT10 / OT11 / OT11B

- Hair clipper [8]
- Type OT11B with additional LED light [6]
- Plug-in power supply unit [4]
- Charger [11]
- Adjustable comb attachment [3]
- Cleaning brush [1]
- Oil bottle [2]
- Manual

Only model OT10

Additional:

- Allen key (SW: 2 mm) [15]

► Notice

Labelling of the device is on the underside of the device.

Preparation

Installing the charger

1. Place the power cable such that nobody stumbles over it.
2. Keep the cables away from hot surfaces.

Charging the batteries

► Notice

This device includes a modern NiMH-battery featuring an especially high capacity with low weight. It does not have any "Memory effect" and has longer durability if handled properly.

The device is not ready for battery operation at the time of delivery. Charge the device for 2 hours before using it for the first time. Thereafter the normal charging time is 1 hour.

1. Check conformability between the mains voltage on the nameplate of the plug-in power supply unit [4] and the available current.
2. Insert the plug-in power supply unit into the socket.
3. Place the device in the charger [11].
First pull out the comb attachment [3] from the device.
4. Pay attention that the on/off sliding switch [7] is at 0 when the device is charging.

The LED charge level indicator [9] displays the charging status:

LED	Charging status
Blinking	Charging.
Glowing	Charging is complete.

Removing the sticker from the knife head

Pull out the sticker on the underside of the knife head before using it for the first time. On this sticker, you can see whether the knife head can be folded without using tools.

Operation

Adjusting the cutting length

Without comb attachment

Without comb attachment, the cutting length is 0.3 mm.

With comb attachment

The adjustable comb attachment [3] locks into the knife head [5] in 4 stages from 3 to 6 mm.

Before cutting, check whether the desired cutting length has been set properly. Use only original accessories.

Switching the device on and off

Actuate the on/off sliding switch [7].

Switch position	Device status
0	The device is switched off.
1	The device is switched on.

Model OT11B

In the OT11B model, LED light for cutting [6] switches on/off automatically.

Cleaning, maintaining, storing

Cleaning the device

1. Using a damp cloth, wipe the device from time to time.
2. Then rub it dry.

Cleaning the knife head

To avoid increased wear of the knife head and motor, the knife head must be cleaned at regular intervals and oiled at appropriate locations.

In case of regular use, clean and oil the knife head thoroughly once daily:

1. Switch off the device.
2. Using the cleaning brush, remove hair carefully.
3. Detach the knife head [5] at regular intervals, to remove hair residue from the insides of the device.

Model OT10

4. Using the supplied allen key [15] [B], loosen the allen key [16] on the knife head [5].
The allen key is on the underside of the charger.
5. Press against the knife head from the bottom and detach it from the device [B].

Model OT11 / OT11B

6. Press against the knife head from the top and detach it from the device [A].
7. Using the cleaning brush [1] , remove hair between the inserts [C].

Oiling the knife head

The knife head must be oiled daily at the toothing and the contact surface (see illustration [D]).

1. Before oiling, remove hair residue using a cleaning brush.
2. Use only supplied oil [2].

You can reorder oil from service (see reverse page of this manual).

► Notice

When oiling the OT11B model, pay attention that oil does not penetrate between the housing and the LED light [6].

Cleaning the contacts

Charging may be interrupted or impaired if the contacts [10] on the device or on the charger are soiled.

1. Clean the contacts using a cloth moistened with alcohol or spirit.
2. Dry the contacts.
Use only a charger with dry and clean contacts.

Storing

If you do not wish to use the device for a longer period, store it only in the charged state.
Storage should be in a cool, dry and frost-free place (optimally 15 °C).
This prevents premature aging of the battery.
Do not wind the power cable around the device as it can break.

Troubleshooting

What to do if ...

Fault	Rectification
... the device cannot be switched on	<ul style="list-style-type: none"> • If the battery has drained, charge the device using the charger [11].
... knife head is "plucking" hair	<ul style="list-style-type: none"> • Clean and oil the knife head [5].
... LED charge level indicator does not glow	<ul style="list-style-type: none"> • Clean the contacts [10]. • The device does not rest properly in the charger. Position it correctly. • Connect the plug-in power supply unit properly. • Power cable or the plug-in power supply unit is defective. • The battery has discharged deeply and requires distinctly longer charging time than the normal time.

The device switches off automatically

... the device switches off automatically	<ul style="list-style-type: none"> • If the battery has drained, charge the device using the charger [11].
... run duration with battery charging is distinctly shorter than before	<ul style="list-style-type: none"> • Clean and oil the knife head (s. illustrations [C] and [D])
... battery does not charge	<ul style="list-style-type: none"> • Send the device to the service address specified on the reverse side of the manual.

► Notice

According to the current state of the art, parts of electronic devices are subject to a certain extent to wear through use.
To ensure flawless function and safety, we recommend regular inspection of the device by service (see reverse page of this manual).

Spare parts

Use only original spare parts which can be ordered from service (see reverse page of this manual).
If the power cable has damaged or squeezed, it must be replaced completely together with the plug-in power supply unit.

Technical data

Model	OT10 / OT11 / OT11B
Mains adapter	Type 153015 or T10
Input	100 - 240 VAC; 50 / 60 Hz
Output	4.0 VDC / 700 mA
Cutting length	0.3 mm
Adjustable comb attachment	3 - 6 mm
Dimensions (L x W x H)	146 x 30 x 38 mm
Weight (device)	120 g
Emission sound pressure level LpA	< 70 dB(A)
Vibration total value a _h	< 2.5 m/s ²

Disposal



This device is marked in accordance with the 2002/96/EC guidelines for electrical and electronic equipment (WEEE).
At the end of its service life, this electronic device may not be disposed off through the normal household garbage/domestic waste but must be delivered to the collection point for recycling electrical and electronic devices.

This also applies for electronic devices which were not used recently for private purposes e.g. for commercial or business purposes.
To the extent, acceptance of electronic devices not used privately is excluded by the competent local disposal facilities, the waste information centre gives information about environmentally compatible disposal.
The symbol on the product, the manual or the packaging refers to the same. Material can be reused according to their marking. Reuse, recycling or other forms of use of old equipment make a significant contribution towards environment protection.

Dismantling the batteries

1. Disconnect the device from the mains.
2. Detach the knife head [5].
Model OT10
3. Loosen the knife head using the supplied allen key [15].
Model OT11 / OT11B
3. Press against the knife head from the top and remove the device.
4. Loosen the two screws [14] below the knife head [5] and the screw [14] on the underside of the device [13].
Use a Torx T6 screwdriver (not included in the scope of delivery).
5. Remove the lower section of the housing [13].
6. Break open the battery [12] using a screwdriver and dispose it off properly.

Environmental protection

This electronic device includes a NiMH battery. The battery must be dismantled for disposal (see paragraph "Dismantling the batteries").
Under no circumstances may the battery be disposed off in the non-recyclable waste bin.
If the electronic device is not going to be used any longer, deliver it to the sales outlet or to a separate collection point of the concerned local public disposal facility (recycling or raw material yards etc.).

Warranty

Dear customers,
we assure you a one year statutory warranty for our products from the date of purchase for all defects resulting from material or manufacturing defects.

- If, contrary to expectations, a fault occurs in the device during this period, we, at our own discretion, guarantee to replace the device by repairing or exchanging it with another flawless device.
- These services shall only be rendered upon presentation of the original invoice and/or the receipt. Retain the receipt as an evidence of the purchase date.
- Warranty excludes damages caused through improper use and normal wear.
- Warranty commitment also lapses if the product is tempered with by unauthorised agencies or if third-party products are used for installation.
- Faults, which only influence the value and the usability of the product to a slight extent, are not included in warranty.
- Wear parts are excluded from warranty. Typical parts subject to regular wear and in this respect are not liable to our warranty, are in particular the battery and the knife head.
- Kindly contact the concerned service for warranty claims; service address is on the reverse side of this manual.

Dansk	
Sikkerhed	19
Formålsbestemt brug	19
Symbolforklaringer og signalord	19
Love og standarder	23
Leveringsomfang	24
Forberedelse	24
Opstilling af ladestationen	24
Opladning af batteriet.....	24
Fjerne klistermærke fra knivhoved.....	25
Betjening	25
Indstilling af trimmelængde	25
Tænd / sluk apparatet	25
Rengøring, pleje, opbevaring	26
Rengøring af apparatet	26
Rengøring af knivhovedet	26
Smøring af knivhovedet	26
Rengøring af ladekontakter	27
Opbevaring	27
Fejlfhjælpning	27
Hvad gør jeg hvis...?	27
Apparatet slukkes	28
Reserve dele	28
Tekniske data	28
Bortskaffelse	29
Garanti	30

Sikkerhed

Formålsbestemt brug

Apparatet må udelukkende anvendes til at trimme hår på mennesker. Apparatet er kun konstrueret til indendørs brug. Apparatet er blevet konstrueret til professionelt brug i frisørsaloner.

Symbolforklaringer og signalord

I denne brugsanvisning anvendes følgende sikkerhedsoplysninger:

ADVARSEL

Signalordet **ADVARSEL** advarer mod en mulig fare. Tilsidesættelse kan medføre døden.

FORSIGTIG

Signalord **FORSIGTIG** advarer mod en mulig fare. Tilsidesættelse kan medføre lette personskader.

! OBS

Ordet **OBS** markerer mulige materielle skader. Tilsidesættelse kan medføre skader på apparatet.

Miljøbeskyttelse

Ordet **Miljøbeskyttelse** markerer oplysninger vedrørende miljøbeskyttelse.

Bemærk

Ordet **Bemærk** markerer yderligere oplysninger om apparatet eller dets brug.

ADVARSEL

Elektrisk stød!

- Benyt aldrig apparatet i nærheden af badekar, bruser, vaskekumme eller andre beholdere, der indeholder vand.
- Hold apparat, ladestationen og tilslutningskablet væk fra fugt, vand og andre væsker og betjen det ikke

- med våde hænder.
- Dyk apparatet, ladestationen og tilslutningskablet ikke ned i vand.
- Skyl det ikke under rindende vand.
- Apparatet må ikke længere benyttes, hvis det er faldet ned i vand.
- Apparatet skal være slukket og adskilt fra strømnettet, når det rengøres, smøres eller der skal gennemføres en service.
- Træk apparatet straks ud af stikkontakten, hvis der under opladning eller brugen med kabel optræder en fejl.

- Apparatet må ikke bruges, hvis apparatet, knivhovedet, ladestationen, batteriet eller tilslutningskablet er beskadiget eller elektriske dele er frit tilgængelige. Adskil apparatet straks fra nettet og kontakt servicen (se bagsiden af denne brugsanvisning)!

⚠ FORSIGTIG

Risiko for at komme til skade på knivhovedet!

- Grib ikke ind i eller til kniven, mens apparatet kører.

- Sluk for apparatet, når du lægger det ud af hånden eller sætter en kam på eller tager den af.

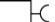
⚠ FORSIGTIG

Risiko for at sluge små dele!

- Apparatet skal opbevares utilgængeligt for børn.
- Hold også emballeringsmateriale, som f.eks. folier, væk fra børn.

! OBS

Materielle skader!

- Apparatet må kun anvendes med original netdel. Hvis apparatet har markeringen  T10, kan enhver netdel af modellen T10 anvendes.
- Apparatet må ikke i længere tid udsættes for temperaturer under 0 °C eller over + 40 °C.
- Undgå direkte sol!
- Knivhovedet er en præcisionsdel. Beskyt det mod beskadigelser.
- Reparationer må kun udføres af en autoriseret service (se bagsiden af

- denne brugsanvisning).
- Beskyt tilslutningsledningen mod beskadigelser. Træk aldrig i tilslutningsledningen.
 - Tag fat i apparatets netdel, når den tages ud af stikkontakten.
 - Knivhovedet må ikke adskilles.
 - Forsøg aldrig at fjerne støv eller fremmedlegemer inde i apparatet med spidse genstande.
 - Anvend ingen aggressive eller ridsende rengøringsmidler til rengøring af apparatet. På grund af forskellige pleje- og

rengøringsprodukter kan det ikke udelukkes, at ladestationens gummifødder angribes et af disse produkter og efterlader rester på underlaget.

FORSIGTIG

Dette apparat kan anvendes af personer fra 8 år og opefter samt af personer med nedsatte fysiske, sensoriske eller mentale evner eller som mangler erfaring og viden, hvis der holdes opsyn med dem eller de er blevet instrueret i sikker brug af

apparatet og forstår de deraf resulterende farer. Børn må ikke lege med apparatet. Rengøring og brugerservice må ikke gennemføres af børn uden opsyn.

Bemærk

En ekstra beskyttelse opnås ved at montere af en fejlstrømsanordning, med en mærkeudløsningsstrøm på mindre end 30 mA, i husets installation. Vi anbefaler, at få en el-fagmand til at sikre strømkredsene med en HFI-relæ.

Love og standarder

Sikkerheden af dette el-apparat stemmer overens med de grundlæggende sikkerhedstekniske regler og loven om apparatsikkerhed. Lysindikatorer som LEDer eller IR-lys overskrider ikke laserklasse 1 iht. IEC 60825-1.

Produktet er i overensstemmelse med CE-mærkningsdirektivet.



Leveringsomfang

Modeller OT10 / OT11 / OT11B

- hårtrimmer [8]
- type OT11B med LED-lampe [6] desuden
- stiknetdel [4]
- ladestation [11]
- indstillelig påsætningskam [3]
- rengøringsbørste [1]
- olieflaske [2]
- brugsanvisning

Kun model OT10

Desuden:

- unbraconøgle (str. 2 mm) [15]

► Bemærk

Modellets typeskilt sidder på undersiden af apparatet.

Forberedelse

Opstilling af ladestationen

1. Læg tilslutningsledningen således, at man ikke kan snuble over den.
2. Hold kablerne væk fra varme overflader.

Opladning af batteriet

► Bemærk

I dette apparat anvendes et moderne NiMH-batteri, som udmærker sig ved en særlig høj kapacitet og lav vægt.

Det har ingen "memory-effekt" og holder i lang tid, hvis det behandles rigtigt.

Når apparatet udleveres, er det endnu ikke parat til batteridrift.

Apparatet skal oplades i 2 timer inden det anvendes første gang. Herefter er den normale opladningstid 1 time.

1. Kontroller, at netspændingen på stiknetdelens typeskilt [4] og netspændingen stemmer overens.
2. Sæt stiknetdelen i stikdåsen.
3. Læg apparatet ind i ladestationen [11].
Træk forinden den indstillelige påsætningskam [3] af fra apparatet.
4. Kontroller, at On-/Off-skydeknappen [7] står på 0 mens apparatet oplades.

LED-indikatoren [9] viser ladetilstanden:

LED	Ladetilstand
Blinker	Oplades.
Lyser	Opladning er afsluttet.

Fjerne klistermærke fra knivhoved

Træk klistermærket på undersiden af knivhovedet af, inden apparatet anvendes første gang. På dette klistermærke kan man se, om knivhovedet kan vippes ned uden værktøj.

Betjening

Indstilling af trimmelængde

Uden påsætningskam

Uden påsætningskam er trimmelængden 0,3 mm.

Med påsætningskam

Den indstillelige påsætningskam [3] går i indgreb i 4 trin på knivhovedet [5] fra 3 til 6 mm.

Kontroller, at den ønskede trimmelængde der indstillet, inden du starter trimningen.

Benyt kun originale reservedele.

Tænd / sluk apparatet

Aktiver On-/Off-skydeknappen [7].

Knappens position	Apparatets tilstand
0	Apparatet er slukket.
1	Apparatet er tændt.

Model OT11B

På model OT11B tændes og slukkes LED-belysningen for trimmeområdet [6] herved automatisk.

Rengøring, pleje, opbevaring

Rengøring af apparatet

1. Tør apparatet fra tid til anden af med en fugtig klud.
2. Gnid det efterfølgende tørt.

Rengøring af knivhovedet

For at undgå en øget slitage af knivhoved og motor skal knivhovedet rengøres regelmæssigt og smøres med olie på de pågældende steder.

Ved regelmæssig brug skal knivhovedet rengøres og smøres en gang om dagen:

1. Sluk apparatet.
2. Fjern forsigtigt hårene med rengøringsbørsten.
3. Tag knivhovedet [5] regelmæssigt af for at fjerne hårrester, der sidder inde i hovedet.

Model OT10

4. Løsn unbrakoskruen [16] på knivhovedet [5] med den medfølgende unbrakonøgle [15] [B].
Unbrakonøglen sidder på undersiden af pedalen.
5. Tryk nedefra mod knivhovedet og tag det af fra apparatet [B].

Modeller OT11 / OT11B

6. Tryk oppefra mod knivhovedet og tag det af fra apparatet [B].
7. Fjern med rengøringsbørsten [1] hårene mellem skærepladerne [C].

Smøring af knivhovedet

Knivhovedet skal hver dag smøres på tænderne og kontaktfladen (se fig [D]).

1. Fjern hårrester med rengøringsbørsten, inden apparatet smøres.
2. Anvend udelukkende den medfølgende olie [2].

Olien kan efterbestilles hos servicen (se bagsiden af denne brugsanvisning).

► Bemærk

Kontroller på model OT11B, at der ved smøring ikke kommer olie ind mellem hus og LED-lampe [6].

Rengøring af ladekontakter

Hvis ladekontakterne [10] på apparatet eller ladestationen er snavsede, kan opladningen afbrydes eller forstyrres

1. Rengør kontakterne med en med alkohol eller spiritus fugtet klud.
2. Tør ladekontakterne.
Brug ladestationen kun med tørre og rene kontakter.

Opbevaring

Hvis apparatet opbevares i længere tid, skal det altid opbevares i opladt stand.

Det skal opbevares køligt, tørt og frostfrit (optimalt er 15 °C).

På denne måde forhindres en for tidlig ældning af batteriet.

Tilslutningsledningen må ikke vikles om apparatet, da ledningen kan knække.

Fejlafhjælpning

Hvad gør jeg hvis...?

Fejl	Afhjælpning
... apparatet ikke kan tændes	<ul style="list-style-type: none"> • Hvis batteriet er tomt, skal apparatet oplades i ladestationen [11].
... knivhovedet "river" i hårene	<ul style="list-style-type: none"> • Rengør og smør knivhovedet [5].
... LED-indikatoren ikke lyser	<ul style="list-style-type: none"> • Rengør ladekontakterne [10]. • Apparatet ligger ikke rigtigt i ladestationen. Placer det rigtigt. • Tilslut stiknetdelen korrekt. • Tilslutningskabel eller stiknetdelen er defekt. • Batteriet er dybdeafladet og har brug for tydelig længere opladningstid end normalt.

Apparatet slukkes

... apparatet slukkes	<ul style="list-style-type: none"> Hvis batteriet er tomt, skal apparatet oplades i ladestationen [11].
... løbetiden af et opladt batteri er betydeligt kortere end før	<ul style="list-style-type: none"> Rengør og smør knivhovedet (se fig. [C] og [D]).
... batteriet ikke længere kan oplades	<ul style="list-style-type: none"> Indsend apparatet til den på bagsiden af brugsanvisningen opførte serviceadresse.

► Bemærk

I henhold til den tekniske standard i dag er de elektriske apparaters komponenter i en vis udstrækning underkastet en tidsmæssigt betinget slitage. For at garantere en upåklagelig funktion og sikkerhed, anbefaler vi derfor en regelmæssig kontrol via servicen (se bagsiden af denne brugsanvisning).

Reservedele

Anvend udelukkende originale reservedele, som kan bestilles hos servicen (se bagsiden af denne brugsanvisning). Hvis tilslutningskablet er beskadiget eller presset, skal det udskiftes komplet med stiknetdelen.

Tekniske data

Modeller	OT10 / OT11 / OT11B
Netdel	type 153015 eller T10
Indgang	100 - 240 VAC; 50 / 60 Hz
Udgang	4,0 VDC / 700 mA
Trimmelængde	0,3 mm
Indstillelig påsætningskam	3 - 6 mm
Mål (L x B x H):	146 x 30 x 38 mm
Vægt (apparat)	120 g
Lydtryksniveau LpA	< 70 dB(A)
Samlet svingningsværdi a _n	< 2,5 m/s ²

Bortskaffelse



Dette apparat er mærket iht. direktiv 2002/96/EF om affald af elektrisk og elektronisk udstyr (WEEE). Dette el-apparat må i slutningen af dets normale levetid ikke bortskaffes via husaffaldet, men skal afleveres på et indsamlingssted for genbrug af elektrisk og elektronisk udstyr. Dette gælder også for elektriske apparater, som til sidst blev brugt i ikke-private områder, f.eks. erhverv eller håndværk. Såfremt modtagelsen af ikke-privat brugte elektriske apparater er udelukket af de lokale genbrugsstationer, fås oplysninger om miljøvenlig bortskaffelse hos deres affaldsrådgivning. Symbolet på produktet, brugsanvisningen eller emballagen gør opmærksom herpå. Materialerne kan genbruges iht. deres mærkning. Med genanvendelse, genbrug af stoffer eller andre former for genbrug af affald fra elektrisk og elektronisk udstyr, ydes et vigtigt bidrag til at beskytte miljøet.

Afmontage af batteriet

- Adskil apparatet fra nettet.
- Tag knivhovedet [5] af.
 - Model OT10**
 - 3. Løsn knivhovedet med den medfølgende unbrakonøgle [15].
 - Modeller OT11 / OT11B**
 - 3. Tryk oppefra mod knivhovedet og tag det af fra apparatet.
- Løsn de to skruer [14] under knivhovedet [5] og skruen [14] på undersiden af apparatet [13].
 - Hertil er der brug for en Torx T6-skruetrækker (medfølger ikke).
- Fjern husets underdel [13].
- Tag batteriet [12] ud med en skruetrækker og bortskaf det miljørigtigt.

♻ Miljøbeskyttelse

Dette elektriske apparat indeholder et NiMH-batteri. Batteriet skal afmonteres, når det skal bortskaffes (se afsnittet "Afmontage af batteriet"). Batteriet må aldrig smides i husaffaldet. Hvis det elektriske apparat ikke længere anvendes, skal det afleveres til købsstedet eller en særskilt lokal offentlig genbrugsstation.

GARANTI

Garanti

Kære kunde!

Vi giver et års garanti på vores produkter fra købsdatoen på alle mangler, som beror på materiale- eller produktionsfejl.

- Hvis der mod forventning skulle opstå en mangel på dette apparat inden for denne periode, garanterer vi at apparatet efter vores valg vil blive repareret eller udskiftet med et andet, fejlfrit apparat.
- Disse ydelser erlægges kun mod forevisning af den originale regning eller købskvittering. Opbevar købskvitteringen for at dokumentere købsdatoen.
- Undtagen herfra er skader, som opstår pga. usagkyndig håndtering og normal slitage.
- Garantien bortfalder også, hvis ikke autoriserede steder foretager indgreb i produktet eller der anvendes ikke originale dele ved montering.
- Mangler, som har en ubetydelig indflydelse på værdien eller anvendeligheden af produktet falder ikke ind under garantien.
- Sliddele er undtaget fra garantien. Typiske dele, som regelmæssigt er udsat for slitage og dermed ikke falder ind under garantien, er især batteriet og knivhovedet.
- Kontakt i garantitilfælde vores service; serviceadressen findes på bagsiden af denne brugsanvisning.

Deutsch

Sicherheit **33**

 Bestimmungsgemäße Verwendung 33

 Symbole und Signalwörter 33

 Gesetze und Normen 38

Lieferumfang **38**

Vorbereitung **39**

 Aufstellen der Ladestation 39

 Aufladen des Akkus 39

 Aufkleber vom Messerkopf entfernen 39

Bedienung **40**

 Einstellen der Schnittlänge 40

 Ein- und Ausschalten des Gerätes 40

Reinigung, Pflege, Aufbewahrung **40**

 Reinigen des Gerätes 40

 Reinigen des Messerkopfes 40

 Ölen des Messerkopfes 41

 Reinigen der Ladekontakte 41

 Aufbewahrung 41

Störungsbehebung **42**

 Was tun, wenn 42

 Das Gerät schaltet sich von selbst ab 42

 Ersatzteile 43

Technische Daten **43**

Entsorgung **43**

Gewährleistung **44**

Sicherheit

Bestimmungsgemäße Verwendung

Das Gerät darf ausschließlich zum Schneiden von menschlichen Haaren verwendet werden.
Das Gerät ist nur für den Gebrauch in Innenräumen ausgelegt.
Das Gerät wurde für den professionellen Einsatz im Friseursalon entwickelt.

Symbole und Signalwörter

In dieser Gebrauchsanweisung finden Sie folgende Sicherheitshinweise:

⚠️ WARNUNG

Das Signalwort **WARNUNG** kennzeichnet eine mögliche Gefahr.
Die Nichtbeachtung kann zum Tod führen.

⚠️ VORSICHT

Das Signalwort **VORSICHT** kennzeichnet eine mögliche Gefahr.
Die Nichtbeachtung kann leichten Verletzungen führen.

! Achtung

Das Wort **Achtung** kennzeichnet mögliche Sachschäden.
Die Nichtbeachtung kann zu Schäden am Gerät führen.

🌱 Umweltschutz

Das Wort **Umweltschutz** kennzeichnet Informationen zum Umweltschutz.

▶ Hinweis

Das Wort **Hinweis** kennzeichnet weitere Informationen zum Gerät oder dessen Anwendung.

⚠️ WARNUNG

Elektrischer Schlag!

- Benutzen Sie das Gerät nicht in der Nähe von Badewannen, Duschen, Waschbecken oder anderen Gefäßen, die Wasser enthalten.
- Halten Sie das Gerät, die Ladestation und das Anschlusskabel von Feuchtigkeit, Wasser und

anderen Flüssigkeiten fern und bedienen Sie es nicht mit nassen Händen.

- Tauchen Sie das Gerät, die Ladestation und das Anschlusskabel nicht unter Wasser.
- Spülen Sie es nicht unter fließendem Wasser ab.
- Benutzen Sie das Gerät nicht mehr, wenn es ins Wasser gefallen ist.
- Das Gerät muss ausgeschaltet und vom Netz getrennt sein, wenn das Gerät gereinigt, geölt, oder ein Service durchgeführt werden soll.

- Wenn während des Aufladens oder während des Kabelbetriebs ein Fehler auftritt, ziehen Sie sofort das Steckernetzgerät aus der Steckdose.
- Benutzen Sie das Gerät nicht, wenn das Gerät, der Messerkopf, die Ladestation, der Akku oder das Anschlusskabel beschädigt sind oder elektrische Teile freiliegen. Trennen Sie das Gerät sofort vom Netz und informieren Sie den Service (siehe Rückseite dieser Gebrauchsanweisung)!

⚠ VORSICHT

Verletzungsgefahr durch den Messerkopf!

- Greifen Sie bei eingeschaltetem Gerät nicht in oder an das Messer.
- Schalten Sie das Gerät ab, wenn Sie es aus der Hand legen oder einen Kammaufsatz aufstecken oder abnehmen.

⚠ VORSICHT


Verschlucken von Kleinteilen!

- Bewahren Sie das Gerät für Kinder unzugänglich auf.

- Halten Sie auch das Verpackungsmaterial, wie z. B. Folien, von Kindern fern.

! Achtung

Sachschäden!

- Das Gerät darf nur mit Original-Netzteilen betrieben werden. Hat das Gerät die Markierung  T10, kann jedes Netzteil des Modells T10 verwendet werden.
- Setzen Sie das Gerät nicht längere Zeit Temperaturen unter 0 °C oder über + 40 °C aus.

- Vermeiden Sie direkte Sonneneinstrahlung.
- Der Messerkopf ist ein Präzisionsteil. Schützen Sie ihn vor Beschädigungen.
- Reparaturen dürfen nur vom autorisierten Service ausgeführt werden (siehe Rückseite dieser Gebrauchsanweisung).
- Schützen Sie die Anschlussleitung vor Beschädigungen. Ziehen Sie niemals an der Anschlussleitung.
- Fassen Sie das Steckernetzgerät an, wenn Sie dieses aus der Steckdose ziehen.
- Zerlegen Sie nicht den Messerkopf.
- Versuchen Sie niemals, mit spitzen Gegenständen Staub und Fremdkörper aus dem Geräteinneren zu entfernen.
- Verwenden Sie zum Reinigen des Gerätes keine aggressiven oder kratzenden Reinigungsmittel. Auf Grund unterschiedlicher Pflege- und Reinigungsprodukte kann nicht ausgeschlossen werden, dass die Gummifüße unter der Ladestation von einem dieser Produkte

angegriffen werden und Rückstände auf dem Untergrund zurücklassen.

VORSICHT

Dieses Gerät kann von Kindern ab 8 Jahren und darüber sowie von Personen mit verringerten physischen, sensorischen oder mentalen Fähigkeiten oder Mangel an Erfahrung und Wissen benutzt werden, wenn sie beaufsichtigt oder bezüglich des sicheren Gebrauchs des Gerätes unterwiesen wurden und die daraus resultierenden Gefahren verstehen.

Kinder dürfen nicht mit dem Gerät spielen. Reinigung und Benutzerwartung dürfen nicht von Kindern ohne Beaufsichtigung durchgeführt werden.

► Hinweis

Einen zusätzlichen Schutz bietet der Einbau einer Fehlerstromschutzeinrichtung, mit einem Nennauslösestrom von weniger als 30 mA in der Hausinstallation.

Wir empfehlen Ihnen, die Stromkreise von ihrem Elektrofachmann mit einer FI-Schutzschaltung absichern zu lassen.

Gesetze und Normen

Die Sicherheit dieses Elektrogerätes entspricht den anerkannten Regeln der Technik und dem Gerätesicherheitsgesetz.

Leuchtanzeigen wie LEDs oder IR-Licht überschreiten nicht die Laserklasse 1 nach IEC 60825-1.

Dieses Produkt entspricht der CE-Kennzeichenrichtlinie.



Lieferumfang

Modelle OT10 / OT11 / OT11B

- Haarschneidegerät [8]
- Typ OT11B mit LED- Beleuchtung [6] zusätzlich
- Steckernetzgerät [4]
- Ladestation [11]
- Verstellbarer Aufsteckkamm [3]
- Reinigungsbürste [1]
- Ölflasche [2]
- Gebrauchsanweisung

Nur Modell OT10

Zusätzlich:

- Innensechskantschlüssel (SW: 2 mm) [15]

► Hinweis

Die Kennzeichnung des Modells befindet sich auf der Unterseite des Gerätes.

Vorbereitung

Aufstellen der Ladestation

1. Legen Sie die Anschlussleitung so, dass niemand darüber stolpert.
2. Halten Sie die Leitungen von heißen Oberflächen fern.

Aufladen des Akkus

► Hinweis

In diesem Gerät befindet sich ein moderner NiMH-Akku, der sich durch eine besonders hohe Kapazität bei geringem Gewicht auszeichnet.

Er hat keinen "Memory-Effekt" und bei richtiger Behandlung eine lange Haltbarkeit.

Wenn das Gerät ausgeliefert wird, ist es für den Akkubetrieb noch nicht betriebsbereit.

Laden Sie das Gerät vor der ersten Benutzung 2 Stunden auf. Danach beträgt die normale Ladezeit 1 Stunde.

1. Überprüfen Sie die Übereinstimmung zwischen Netzspannung auf dem Typenschild des Steckernetzgerätes [4] und der vorhandenen Spannung.
2. Stecken Sie das Steckernetzgerät in die Steckdose.
3. Legen Sie das Gerät in die Ladestation [11]. Ziehen Sie vorher den verstellbaren Aufsteckkamm [3] vom Gerät ab.
4. Achten Sie darauf, dass der Ein-/Aus-Schiebeschalter [7] beim Aufladen auf 0 steht.

Die LED-Ladezustandsanzeige [9] zeigt den Ladezustand an:

LED	Ladezustand
Blinkt	Ladevorgang.
Leuchtet	Der Ladevorgang ist abgeschlossen.

Aufkleber vom Messerkopf entfernen

Ziehen Sie vor der ersten Benutzung des Gerätes den Aufkleber von der Unterseite des Messerkopfes ab. An diesem Aufkleber können Sie erkennen, ob Sie den Messerkopf werkzeuglos abklappen können.

Bedienung

Einstellen der Schnittlänge

Ohne Aufsteckkamm

Ohne Aufsteckkamm beträgt die Schnittlänge 0,3 mm.

Mit Aufsteckkamm

Der verstellbare Aufsteckkamm [3] rastet in 4 Stufen auf dem Messerkopf [5] von 3 bis 6 mm.

Kontrollieren Sie vor dem Schneiden, dass die gewünschte Schnittlänge richtig eingestellt ist.

Verwenden Sie nur die Original-Zubehörteile.

Ein- und Ausschalten des Gerätes

Betätigen Sie den Ein-/Aus-Schiebeschalter [7].

Schalterstellung	Gerätezustand
0	Das Gerät ist ausgeschaltet.
1	Das Gerät ist eingeschaltet.

Modell OT11B

Beim Modell OT11B schaltet sich die LED-Beleuchtung für den Schneidbereich [6] dabei automatisch ein/aus.

Reinigung, Pflege, Aufbewahrung

Reinigen des Gerätes

1. Wischen Sie das Gerät gelegentlich mit einem feuchten Tuch ab.
2. Reiben Sie es anschließend trocken.

Reinigen des Messerkopfes

Um einen erhöhten Verschleiß von Messerkopf und Motor zu vermeiden, muss der Messerkopf regelmäßig gereinigt und an den entsprechenden Stellen geölt werden.

Reinigen und ölen Sie bei regelmäßigem Gebrauch den Messerkopf einmal täglich gründlich:

1. Schalten Sie das Gerät aus.
2. Entfernen Sie vorsichtig die Haare mit der Reinigungsbürste.
3. Nehmen Sie regelmäßig den Messerkopf [5] ab, um Haarreste im Innenbereich entfernen zu können.

Modell OT10

4. Lösen Sie die Innensechskantschraube [16] am Messerkopf [5] mit dem mitgelieferten Innensechskantschlüssel [15] [B]. Der Innensechskantschlüssel befindet sich auf der Unterseite der Ladestation.
5. Drücken Sie von der Unterseite gegen den Messerkopf und nehmen Sie ihn vom Gerät ab [B].

Modelle OT11 / OT11B

6. Drücken Sie von der Oberseite gegen den Messerkopf und nehmen Sie ihn vom Gerät ab [A].
7. Entfernen Sie mit der Reinigungsbürste [1] die Haare zwischen den Schneidplatten [C].

Ölen des Messerkopfes

Der Messerkopf muss an der Zahnung und der Kontaktfläche täglich geölt werden, (siehe Darstellung [D]).

1. Entfernen Sie vor dem Ölen Haarreste mit der Reinigungsbürste.
2. Verwenden Sie ausschließlich das mitgelieferte Öl [2].

Sie können das Öl bei Ihrem Service nachbestellen (siehe Rückseite dieser Gebrauchsanweisung).

► Hinweis

Achten Sie beim Modell OT11B darauf, dass beim Ölen kein Öl zwischen Gehäuse und LED-Beleuchtung [6] eindringt.

Reinigen der Ladkontakte

Sind die Ladkontakte [10] am Gerät oder an der Ladestation verschmutzt, kann der Ladevorgang unterbrochen oder gestört werden.

1. Reinigen Sie die Kontakte mit einem mit Alkohol oder Spiritus befeuchteten Tuch.
2. Trocknen Sie die Ladkontakte.
Benutzen Sie die Ladestation nur mit trockenen und sauberen Kontakten.

Aufbewahrung

Wenn Sie das Gerät länger nicht benutzen, bewahren Sie es nur im geladenen Zustand auf.

Die Aufbewahrung sollte kühl, trocken und frostfrei erfolgen (optimal sind 15 °C).

Auf diese Weise verhindern Sie eine vorzeitige Alterung des Akkus.

Wickeln Sie die Anschlussleitung nicht um das Gerät, da diese brechen kann.

Störungsbehebung

Was tun, wenn ...

Störung	Behebung
... sich das Gerät nicht einschalten lässt	<ul style="list-style-type: none"> • Wenn der Akku leer ist, laden Sie das Gerät in der Ladestation [11] auf.
... der Messerkopf an den Haaren "rupft"	<ul style="list-style-type: none"> • Reinigen und ölen Sie den Messerkopf [5].
... die LED-Ladezustandsanzeige nicht leuchtet	<ul style="list-style-type: none"> • Reinigen Sie die Ladekontakte [10]. • Das Gerät liegt nicht richtig in der Ladestation. Positionieren Sie es richtig. • Schließen Sie das Steckernetzgerät richtig an. • Das Anschlusskabel oder das Stecknetzgerät ist defekt. • Der Akku ist tiefentladen und benötigt eine deutlich längere Ladezeit als im Normalbetrieb.

Das Gerät schaltet sich von selbst ab

... sich das Gerät von selbst abschaltet	<ul style="list-style-type: none"> • Wenn der Akku leer ist, laden Sie das Gerät in der Ladestation [11] auf.
... die Laufzeit mit einer Akkuladung deutlich kürzer ist als vorher	<ul style="list-style-type: none"> • Reinigen und ölen Sie den Messerkopf (s. Darstellungen [C] und [D])
... sich der Akku nicht mehr aufladen lässt	<ul style="list-style-type: none"> • Senden Sie das Gerät an die auf der Rückseite der Gebrauchsanweisung angegebene Service-Adresse.

▶ **Hinweis**

Nach heutigem Stand der Technik unterliegen Teile an elektrotechnischen Geräten in einem gewissen Maße einem zeitlich bedingten Verschleiß. Um eine einwandfreie Funktion und Sicherheit zu gewährleisten, empfehlen wir daher eine regelmäßige Überprüfung durch den Service (siehe Rückseite dieser Gebrauchsanweisung).

Ersatzteile

Verwenden Sie ausschließlich Original-Ersatzteile, die Sie beim Service bestellen können (siehe Rückseite dieser Gebrauchsanweisung). Wenn das Anschlusskabel beschädigt oder gequetscht ist, muss es komplett mit dem Steckernetzgerät ausgetauscht werden.

Technische Daten

Modelle	OT10 / OT11 / OT11B
Netzadapter	Typ 153015 oder T10
Eingang	100 - 240 VAC; 50 / 60 Hz
Ausgang	4,0 VDC / 700 mA
Schnittlänge	0,3 mm
Verstellbarer Aufsteckkamm	3 - 6 mm
Abmessungen (L x B x H)	146 x 30 x 38 mm
Gewicht (Gerät)	120 g
Emissionsschalldruckpegel LpA	< 70 dB(A)
Schwingungsgesamtwert a _h	< 2,5 m/s ²

Entsorgung



Dieses Gerät ist entsprechend der Richtlinie 2002/96/EG über Elektro- und Elektronik-Altgeräte (WEEE) gekennzeichnet. Dieses Elektrogerät darf am Ende seiner Lebensdauer nicht über den normalen Haushaltsabfall/Restmülltonne entsorgt werden, sondern muss an einem Sammelpunkt für das Recycling von elektrischen und elektronischen Geräten abgegeben werden.

Dies gilt auch für Elektrogeräte, die zuletzt im nicht privaten Bereich, z. B. in Gewerbe oder Handwerk, genutzt wurden.

Soweit die Annahme von nicht privat genutzten Elektrogeräten von den zuständigen örtlichen Entsorgungseinrichtungen ausgeschlossen wurde, erteilt deren Abfallberatungsstelle Auskünfte über die umweltgerechte Entsorgung. Das Symbol auf dem Produkt, der Gebrauchsanleitung oder der Verpackung weist darauf hin. Die Werkstoffe sind gemäß ihrer Kennzeichnung wiederverwertbar. Mit der Wiederverwendung, der stofflichen Verwertung oder anderen Formen der Verwertung von Altgeräten wird ein wichtiger Beitrag zum Schutz der Umwelt geleistet.

Ausbauen des Akkus

1. Trennen Sie das Gerät vom Netz.
2. Nehmen Sie den Messerkopf [5] ab.

Modell OT10

3. Lösen Sie den Messerkopf mit dem mitgelieferten Innensechskantschlüssel [15].

Modelle OT11 / OT11B

3. Drücken Sie von der Oberseite gegen den Messerkopf und nehmen Sie ihn vom Gerät ab.
4. Lösen Sie die beiden Schrauben [14] unter dem Messerkopf [5] und die Schraube [14] auf der Geräteunterseite [13]. Hierzu benötigen Sie einen Torx T6-Schraubendreher (nicht im Lieferumfang enthalten).
5. Entfernen Sie das Gehäuseunterteil [13].
6. Brechen Sie den Akku [12] mit einem Schraubendreher heraus und führen Sie ihn der fachgerechten Entsorgung zu.


Umweltschutz

In diesem Elektrogerät befindet sich ein NiMH-Akku. Der Akku muss zur Entsorgung ausgebaut werden (siehe den Absatz "Ausbauen des Akkus"). Der Akku darf keinesfalls in der Restabfalltonne entsorgt werden.

Wenn das Elektrogerät nicht mehr verwendet wird, geben Sie es bei der Verkaufsstelle oder bei einer gesonderten Annahmestelle der zuständigen örtlichen öffentlichen Entsorgungseinrichtung (Recyclinghof, Wertstoffhof etc.) ab.

Gewährleistung

Sehr geehrte Kundin, sehr geehrter Kunde,
wir sichern Ihnen für unsere Produkte eine einjährige gesetzliche Gewährleistung ab Kaufdatum für alle Mängel zu, die auf Material- oder Herstellungsfehlern beruhen.

- Sollte wider Erwarten innerhalb dieses Zeitraums ein Mangel an diesem Gerät auftreten, stehen wir Ihnen dafür ein, dass Gerät nach unserer Wahl durch Reparatur oder Austausch gegen ein anderes fehlerfreies zu ersetzen.
- Diese Leistungen werden nur gegen Vorlage der Originalrechnung bzw. des Kaufbelegs erbracht. Bewahren Sie den Kaufbeleg zum Nachweis des Kaufdatums auf.
- Von der Gewährleistung ausgenommen sind Schäden, die durch unsachgemäßen Gebrauch und normalen Verschleiß verursacht sind.
- Die Gewährleistungszusage erlischt auch, wenn an dem Produkt Eingriffe von nicht autorisierten Stellen vorgenommen werden oder wenn bei der Montage Fremdprodukte zum Einsatz kommen.
- Mängel, die den Wert und die Gebrauchstauglichkeit des Produktes nur unerheblich beeinflussen, fallen nicht unter die Gewährleistung.
- Verschleißteile sind von der Gewährleistung ausgenommen. Typische Teile, die regelmäßig dem Verschleiß und insofern nicht unserer Gewährleistung unterliegen, sind insbesondere der Akku und der Messerkopf.
- Im Gewährleistungsfall setzen Sie sich bitte mit dem zuständigen Service in Verbindung; die Service-Adresse finden Sie auf der Rückseite dieser Gebrauchsanweisung.

Italiano

Sicurezza	47
Utilizzo conforme	47
Simboli e parole di segnalazione	47
Leggi e norme	52
Fornitura	52
Preparazione	53
Collocazione della stazione di ricarica	53
Ricarica dell'accumulatore	53
Rimuovere l'adesivo dalla testa portalama	53
Uso	54
Impostazione della lunghezza di taglio	54
Accensione e spegnimento dell'apparecchio	54
Pulizia, cura, conservazione	54
Pulizia dell'apparecchio	54
Pulizia della testa portalama	54

Oliare la testa portalama	55
Pulizia dei contatti di ricarica	55
Conservazione	55
Risoluzione dei guasti	56
Cosa fare, se	56
L'apparecchio si spegne da solo	56
Pezzi di ricambio	57
Dati tecnici	57
Smaltimento	57
Garanzia	58

Sicurezza**Utilizzo conforme**

L'apparecchio deve essere utilizzato esclusivamente per tagliare capelli umani. L'apparecchio è progettato soltanto per l'utilizzo in ambienti interni. L'apparecchio è stato sviluppato per l'uso professionali presso saloni parrucchieri.

Simboli e parole di segnalazione

Nelle presenti istruzioni per l'uso sono disponibili le seguenti avvertenze di sicurezza:

⚠ AVVISO

La parola di segnalazione **AVVISO** caratterizza un possibile pericolo. La mancata osservanza può causare la morte.

⚠ CAUTELA

La parola di segnalazione **CAUTELA** caratterizza un possibile pericolo. La mancata osservanza può causare lesioni lievi.

! Attenzione

La parola **Attenzione** caratterizza possibili danni alle cose. La mancata osservanza può causare danni all'apparecchio.

♻ Tutela dell'ambiente

La parola **tutela dell'ambiente** caratterizza informazioni per la tutela dell'ambiente.

▶ Avvertenza

La parola **avvertenza** caratterizza ulteriori informazioni sull'apparecchio o sul suo utilizzo.

⚠ AVVISO**Scossa elettrica!**

- Non utilizzare l'apparecchio in prossimità di vasche da bagno, docce, lavandini o altri recipienti

- contenenti acqua.
- Tenere l'apparecchio, la stazione di ricarica e il cavo di collegamento a distanza da umidità, acqua e altri liquidi e non utilizzarli con le mani bagnate.
 - Non immergere in acqua l'apparecchio, la stazione di ricarica e il cavo di collegamento.
 - Non sciacquarli sotto acqua corrente.
 - Non utilizzare più l'apparecchio, qualora sia caduto in acqua.
 - Qualora sia necessario pulirlo, oliarlo o effettuarvi una manutenzione, è

necessario spegnere l'apparecchio e scollegarlo dalla rete.

- Se durante la ricarica o durante il funzionamento con il cavo si presenta un errore, estrarre immediatamente l'alimentatore di rete dalla presa.
- Non utilizzare l'apparecchio se l'apparecchio, la testa portalama, la stazione di ricarica, l'accumulatore o il cavo di collegamento sono danneggiati o se le parti elettriche sono scoperte. Scollegare immediatamente

l'apparecchio dalla rete e informare l'assistenza (vedere il retro delle presenti istruzioni per l'uso)!

CAUTELA

Pericolo di lesioni dovuti alla testa portalama!

- Quando l'apparecchio è acceso, non mettere le mani all'interno o in corrispondenza della testa portala.
- Spegnere l'apparecchio, prima di posarlo o prima di inserire o rimuovere l'accessorio a pettine.

CAUTELA

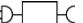
Inghiottimenti di pezzi piccoli!

- Conservare l'apparecchio in modo che sia inaccessibile per i bambini.
- Tenere lontano dai bambini anche il materiale di imballaggio, come per esempio le pellicole.

! Attenzione

Danni alle cose!

- L'apparecchio deve essere azionato soltanto con elementi di collegamento alla rete originali. Se l'apparecchio presenta il

contrassegno  T10, è possibile utilizzare qualsiasi alimentatore del modello T10.

- Non esporre l'apparecchio a temperature inferiori a 0 °C o superiori a +40 °C per un periodo di tempo prolungato.
- Evitare l'esposizione ai raggi solari diretti.
- La testa portalama è un elemento di precisione. Proteggerla dai danneggiamenti.
- Le riparazioni devono essere effettuate soltanto presso

un'assistenza autorizzata (vedere il retro delle presenti istruzioni per l'uso).

- Proteggere il cavo di collegamento dai danneggiamenti. Non tirare mai in corrispondenza del cavo di collegamento.
- Afferrare l'alimentatore di rete per estrarlo dalla presa.
- Non smontare la testa portalama.
- Non cercare mai di rimuovere polvere e corpi estranei dall'interno dell'apparecchio utilizzando oggetti acuminati.

- Per pulire l'apparecchio non utilizzare detergenti aggressivi né abrasivi. A causa dei differenti prodotti di pulizia e di cura, non è possibile escludere che i piedini in gomma sotto la stazione di ricarica vengano attaccati da uno di tali prodotti, lasciando così indietro residui sul fondo.

CAUTELA

Questo apparecchio può essere utilizzato da bambini di età superiore a 8 anni e inoltre da persone con ridotte

capacità fisiche, sensoriali o mentali o con esperienza e conoscenze limitate a patto che siano sorvegliati o istruiti riguardo all'uso sicuro dell'apparecchio e riguardi ai pericoli che ne derivano. I bambini non devono giocare con l'apparecchio. La pulizia e la manutenzione da parte dell'utente non devono essere effettuati dai bambini in assenza di sorveglianza.

► Avvertenza

L'installazione di un interruttore differenziale con una corrente di attivazione nominale inferiore a 30 mA nell'installazione domestica offre una protezione supplementare.

Si consiglia di proteggere i circuiti elettrici da un elettricista esperto con un di interruttore differenziale.

Leggi e norme

La sicurezza di questo apparecchio è conforme alle regole riconosciute della tecnica e alla legge sulla sicurezza delle apparecchiature.

Le spie, quali i LED o la luce IR, non superano la classe laser 1 ai sensi di IEC 60825-1.

Questo apparecchio soddisfa la direttiva per la marcatura CE.



Fornitura

Modelli OT10 / OT11 / OT11B

- Apparecchio di taglio per i capelli [8]
- Tipo OT11B con illuminazione a LED [6] aggiuntiva
- Alimentatore di rete [4]
- Stazione di ricarica [11]
- Pettine inseribile regolabile [3]
- Spazzola per pulizia [1]
- Bottiglia dell'olio [2]
- Istruzioni per l'uso

Solo per il modello OT10

In aggiunta:

- Brugola (SW: 2 mm) [15]

► Avvertenza

La sigla del modello è riportata sul lato inferiore dell'apparecchio.

Preparazione

Collocazione della stazione di ricarica

1. Collocare il cavo di collegamento in modo che nessuno la calpesti.
2. Tenere i cavi lontano da superfici calde.

Ricarica dell'accumulatore

► Avvertenza

In questo apparecchio è montato un moderno accumulatore a NiMh che si contraddistingue per una capacità particolarmente elevata con peso ridotto. Esso non ha alcun "effetto memoria" e, se utilizzato correttamente, presenta una durata elevata.

Al momento della fornitura dell'apparecchio, esso non era ancora pronto per il funzionamento con l'accumulatore.

Prima del primo utilizzo, caricare l'apparecchio per 2 ore. In seguito, la durata normale della ricarica è di 1 ora.

1. Verificare la coincidenza tra la tensione di rete riportata sulla targhetta dati dell'alimentatore di rete [4] e la tensione disponibile.
2. Inserire l'alimentatore di rete nella presa.
3. Collocare l'apparecchio nella stazione di ricarica [11]. Prima, estrarre il pettine inseribile regolabile [3] dall'apparecchio.
4. Fare in modo che l'interruttore scorregole on/off [7] sia su 0 durante la ricarica.

La visualizzazione di stato a LED [9] indica il livello di carica:

LED	Livello di carica
Lampeggia	Operazione di ricarica
Acceso	L'operazione di ricarica è conclusa.

Rimuovere l'adesivo dalla testa portalama

Prima del primo utilizzo dell'apparecchio, rimuovere l'adesivo dal lato inferiore della testa portalama. Da questo adesivo è possibile accertare se la testa portalama può essere ribaltata senza utensili o meno.

Uso

Impostazione della lunghezza di taglio

Senza pettine inseribile

Senza pettine inseribile la lunghezza di taglio è 0,3 mm.

Con pettine inseribile

Il pettine inseribile regolabile [3] si innesta in 4 gradini sulla testa portalama [5] da 3 a 6 mm.

Prima di procedere al taglio, controllare che sia impostata correttamente la lunghezza di taglio desiderata.

Utilizzare soltanto gli accessori originali.

Accensione e spegnimento dell'apparecchio

Azionare l'interruttore scorrevole On/Off [7].

Posizione dell'interruttore	Stato dell'apparecchio
0	L'apparecchio è spento.
1	L'apparecchio è acceso.

Modello OT11B

Nel modello OT11B l'illuminazione a LED per la zona di taglio [6] in questo caso si accende/spegne automaticamente.

Pulizia, cura, conservazione

Pulizia dell'apparecchio

1. Di tanto in tanto strofinare l'apparecchio con un panno umido.
2. In seguito strofinarlo a secco.

Pulizia della testa portalama

Per evitare un'usura aumenta di testa portalama e motore, la testa portalama deve essere pulita regolarmente e oliata in corrispondenza dei punti corrispondenti.

In caso di utilizzo regolare, pulire e oliare la testa portalama una volta al giorno a fondo:

1. Spegnerne l'apparecchio.
2. Rimuovere con cautela i capelli con la spazzola di pulizia.
3. Togliere a intervalli regolari la testa portalama [5] per poter rimuovere residui di capelli nella zona interna.

Modello OT10

4. Svitare la vite a esagono incassato [16] dalla testa portalama [5] con la brugola [15] fornita in dotazione [B]. La brugola è disposta sul lato inferiore della stazione di ricarica.
5. Premere la testa portalama dal lato inferiore e toglierla dall'apparecchio [B].

Modelli OT11 / OT11B

6. Premere la testa portalama dal lato superiore e toglierla dall'apparecchio [A].
7. Utilizzando la spazzola di pulizia [1], rimuovere i capelli tra le piastre di taglio [C].

Oliare la testa portalama

La testa portalama deve essere oliata quotidianamente in corrispondenza della dentatura e delle superfici di contatto, (vedere rappresentazione [D]).

1. Prima di procedere all'oliatura, rimuovere i residui di capelli con la spazzola di pulizia.
2. Utilizzare esclusivamente l'olio fornito in dotazione [2].

È possibile ordinare l'olio presso il vostro punto di assistenza (vedere il retro delle presenti istruzioni per l'uso).

► Avvertenza

Per il modello OT11B fare in modo che durante l'oliatura non penetri alcun olio tra l'alloggiamento e l'illuminazione a LED [6].

Pulizia dei contatti di ricarica

Se i contatti di ricarica [10] sull'apparecchio o sulla stazione di ricarica sono sporchi, l'operazione di ricarica può essere interrotta o disturbata.

1. Pulire i contatti con un panno inumidito con alcol o spirito.
2. Asciugare i contatti di ricarica.
Utilizzare la stazione di ricarica soltanto se i contatti sono asciutti e puliti.

Conservazione

In caso di mancato utilizzo prolungato dell'apparecchio, conservarlo soltanto allo stato carico.

La conservazione deve avvenire al fresco, all'asciutto e in assenza di gelo (sono ottimali 15 °C).

Tali condizioni consentono di evitare un invecchiamento precoce dell'accumulatore.

Non avvolgere il cavo di collegamento attorno all'apparecchio perché potrebbe spezzarsi.

Risoluzione dei guasti

Cosa fare, se...

Guasto	Risoluzione
... non è possibile accendere l'apparecchio	<ul style="list-style-type: none"> Se l'accumulatore è scarico, ricaricare l'apparecchio nella stazione di ricarica [11].
... la testa portalama "tira" i capelli	<ul style="list-style-type: none"> Pulire e oliare la testa portalama [5].
... la spia del livello di carica non si accende	<ul style="list-style-type: none"> Pulire i contatti di ricarica [10]. L'apparecchio non è disposto correttamente nella stazione di ricarica. Posizionarlo correttamente. Collegare correttamente l'alimentatore di rete. Il cavo di collegamento o l'alimentatore di rete sono difettosi. L'accumulatore è molto scarico e necessita di una durata di ricarica di lunghezza superiore al normale.

L'apparecchio si spegne da solo

... l'apparecchio si spegne da solo	<ul style="list-style-type: none"> Se l'accumulatore è scarico, ricaricare l'apparecchio nella stazione di ricarica [11].
... la durata con una carica completa dell'accumulatore è molto inferiore a prima	<ul style="list-style-type: none"> Pulire e oliare la testa portalama (v. rappresentazioni [C] e [D]).
... non è più possibile ricaricare l'accumulatore	<ul style="list-style-type: none"> Inviare l'apparecchio agli indirizzi di assistenza indicati sul retro delle istruzioni per l'uso.

► Avvertenza

In base all'attuale stato della tecnica, in una certa misura gli elementi degli apparecchi elettrotecnici sono soggetti a un'usura limitata nel tempo. Per garantire un funzionamento impeccabile e la sicurezza, si consiglia pertanto di effettuare una verifica regolare presso l'assistenza (vedere il retro delle presenti istruzioni per l'uso).

Pezzi di ricambio

Utilizzare esclusivamente pezzi di ricambio originali, che possono essere ordinati presso il punto di assistenza (vedere il retro delle presenti istruzioni per l'uso).

Se il cavo di collegamento è danneggiato o schiacciato, esso deve essere sostituito completamente con l'alimentatore di rete.

Dati tecnici

Modelli	OT10 / OT11 / OT11B
Adattatore di rete	Tipo 153015 o T10
Ingresso	100 - 240 VAC; 50 / 60 Hz
Uscita	4,0 VDC / 700 mA
Lunghezza di taglio	0,3 mm
Pettine inseribile regolabile	3 - 6 mm
Dimensioni (L x B x A)	146 x 30 x 38 mm
Peso (apparecchio)	120 g
Livello di emissione acustica LpA	< 70 dB(A)
Livello totale di vibrazioni a _h	< 2,5 m/s ²

Smaltimento



Questo apparecchio è marcato ai sensi della direttiva 2002/96/CE sui Rifiuti da Apparecchiature Elettriche ed Elettroniche (RAEE).

Questo apparecchio elettrico, al termine della sua durata, non deve essere smaltito come i rifiuti domestici normali/i bidoni della raccolta indifferenziata, ma deve essere consegnato a un punto di raccolta per il riciclaggio di apparecchi elettrici ed elettronici.

Ciò si applica anche ad apparecchi elettrici che sono stati utilizzati per l'ultima non nel settore privati, per esempio in attività industriali o artigianali.

Qualora si debba escludere l'ipotesi di apparecchi elettrici non utilizzati a livello privato dagli impianti di smaltimento locali competenti, il rispettivo ente di consulenza sui rifiuti fornirà informazioni sullo smaltimento compatibile con l'ambiente.

Il simbolo sul prodotto, sulle istruzioni per l'uso o sulla confezione fornisce indicazioni al riguardo. I materiali sono riutilizzabili ai sensi della loro marcatura. Con il riutilizzo, il recupero di materiali o altre forme di recupero di apparecchi vecchi, viene fornito un importante contributo alla protezione dell'ambiente.

GARANZIA

Smontaggio dell'accumulatore

1. Scollegare l'apparecchio dalla rete.
2. Togliere la testa portalama [5].

Modello OT10

3. Svitare la testa portalama con la brugola [15] fornita in dotazione.

Modelli OT11 / OT11B

3. Premere la testa portalama dal lato superiore e toglierla dall'apparecchio.
4. Svitare le due viti [14] sotto la testa portalama [5] e la vite [14] sul lato inferiore dell'apparecchio [13].
A tale scopo occorre un cacciavite T6 Torx (non compreso nella fornitura).
5. Rimuovere la parte inferiore dell'alloggiamento [13].
6. Estrarre l'accumulatore [12] con un cacciavite e consegnarlo a un centro di smaltimento specializzato.

Tutela dell'ambiente

In questo apparecchio elettrico è montato un accumulatore NiMH. L'accumulatore deve essere smontato per lo smaltimento (vedere il paragrafo "Smontaggio" dell'accumulatore).

In nessun caso l'accumulatore deve essere smaltito insieme ai rifiuti non differenziati.

Se non si utilizza più l'apparecchio elettrico, consegnarlo al centro di vendita o presso un ente di accettazione separata dell'ente preposto allo smaltimento pubblico locale competente (centro di riciclaggio, centro materiali ecc.).

Garanzia

Gentile cliente,

per i nostri prodotti forniamo una garanzia di legge della durata di un anno a partire dalla data di acquisto per tutti i difetti dovuti a difetti nel materiale o errori nella produzione.

- Qualora, contrariamente alle aspettative, nell'arco di questo lasso di tempo dovesse verificarsi un difetto sul presente apparecchio, ne rispondiamo nei vostri confronti mediante la riparazione o la sostituzione con un altro esemplare privo di difetti.
- Tali servizi saranno prestati soltanto dietro la presentazione della fattura originale o del documento di acquisto. Conservare il documento di acquisto per comprovare la data di acquisto.
- Sono esclusi dalla garanzia i danni dovuti a un utilizzo non appropriato o alla normale usura.
- La garanzia si estingue anche nel caso in cui sul prodotto vengano effettuati interventi da centri non autorizzati o nel montaggio vengano utilizzati prodotti non originali.
- I difetti che non influiscono in misura rilevante sul valore e sull'idoneità all'uso del prodotto, non sono coperti da garanzia.
- Le parti soggette a usura sono escluse dalla garanzia. Gli elementi tipici che sono soggetti a usura e pertanto non sono coperti da garanzia sono in particolare l'accumulatore e la testa portalama.
- Per applicare la garanzia, mettersi in contatto con il centro di assistenza competente; gli indirizzi dell'assistenza sono disponibili sul retro delle presenti istruzioni per l'uso.

Español

Seguridad	61
Uso previsto.....	61
Símbolos y notas de advertencia	61
Disposiciones legales y normas	66
Volumen de suministro	66
Preparativos	67
Colocación de la unidad de carga	67
Carga del acumulador.....	67
Cómo quitar la etiqueta del cabezal de cuchillas	67
Manejo	68
Cómo ajustar la longitud de corte	68
Activación y desactivación del aparato	68
Limpieza, entretenimiento, almacenamiento	68
Limpieza del aparato.....	68
Limpieza del cabezal de cuchillas	68

Lubricación del cabezal de cuchillas	69
Limpieza de los contactos de carga	69
Almacenamiento	69
Corrección de fallos	70
Qué hay que hacer cuando	70
El aparato se desconecta automáticamente.....	70
Repuestos	71
Datos técnicos	71
Eliminación de residuos	71
Garantía	72

Seguridad

Uso previsto

El aparato sólo debe utilizarse para cortar pelo humano.
El aparato sólo es apropiado para el uso en interiores.
El aparato ha sido desarrollado para uso profesional en salones de peluquería.

Símbolos y notas de advertencia

El presente folleto de instrucciones contiene las siguientes notas de seguridad:

 PELIGRO

La palabra de advertencia PELIGRO advierte de un posible peligro.
El incumplimiento de esta advertencia puede causar la muerte.

 ATENCION

La palabra de advertencia ATENCION advierte de un posible peligro.
El incumplimiento de esta advertencia puede causar lesiones leves.

¡ Precaución !

La palabra **Precaución** advierte de posibles daños materiales.
El incumplimiento de esta advertencia puede causar daños del aparato.

 Protección medioambiental

La palabra **Protección medioambiental** indica información sobre protección del medio ambiente.

► Nota

La palabra **Nota** indica información adicional sobre el aparato y su uso correcto.

 PELIGRO

¡Choque eléctrico!

- No utilice el aparato cerca de bañeras, duchas, lavamanos u otros recipientes que contienen agua.

- Impida que el aparato, la unidad de carga y el cable de conexión entren en contacto con agua u otros líquidos. No toque el aparato con las manos mojadas.
- No sumerja en agua el aparato, la unidad de carga o el cable de conexión.
- No limpie el aparato con agua corriente.
- No utilice el aparato cuando haya caído al agua.
- Desconecte el aparato o cable de conexión antes de limpiar o lubricar

el aparato o realizar trabajos de servicio técnico.

- En el caso de que se produzca un fallo durante la carga del acumulador o el cable esté conectado al aparato, desenchufe inmediatamente el adaptador de corriente.
- No utilice el aparato cuando el aparato, el cabezal de cuchillas, la unidad de carga, el acumulador o el cable de conexión estén dañados o haya partes conductoras expuestas. ¡Desenchufe el aparato inmediatamente de la red eléctrica y

contacte con el servicio técnico (véase el dorso de este folleto de instrucciones)!

⚠ ATENCION

¡Peligro de lesión por contacto con el cabezal de cuchillas!

- No toque la cuchilla cuando el aparato esté en funcionamiento.
- Desconecte el aparato antes de ponerlo a un lado o cuando sea necesario colocar o quitar un peine adaptable.

⚠ ATENCION

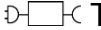
¡Atragantamiento de piezas pequeñas!

- Mantenga el aparato fuera del alcance de los niños.
- Mantenga el material de embalaje (p. ej.: láminas) fuera del alcance de los niños.

¡ Precaución !

¡Daños materiales!

- El uso del aparato sólo está permitido cuando se utilizan los adaptadores de corriente originales.

Los aparatos marcados con  T10 pueden utilizarse con cualquier adaptador de corriente del tipo T10.

- Evite exponer el aparato durante mucho tiempo a temperaturas inferiores a 0 °C o superiores a + 40 °C.
- Evite exponerlo directamente a la luz solar.
- El cabezal de cuchillas es un componente de precisión. Protéjalo contra daños.
- Todas las reparaciones del aparato

tendrán que realizarse exclusivamente por el servicio técnico autorizado (véase el dorso de este folleto de instrucciones).

- Proteja el cable de conexión contra daños. Nunca tire del cable de conexión.
- Sujete con la mano el adaptador de corriente antes de desenchufarlo de la toma de corriente.
- No desensamble el cabezal de cuchillas.
- Nunca introduzca en el aparato objetos puntiagudos para quitar o

sacar de su interior partículas de polvo o cuerpos extraños.

- No utilice para la limpieza limpiadores agresivos o abrasivos. Debido a la gran variedad de productos de conservación y limpieza no puede excluirse que tales productos afecten al material de las patas de goma de la unidad de carga y dejen residuos en la superficie inferior.

ATENCION

El aparato puede ser utilizado por

niños a partir de los ocho años, así como por personas con capacidades físicas, sensoriales o mentales reducidas o personas que carezcan de experiencia y conocimientos suficientes, siempre que estén vigiladas o hayan sido instruidas sobre el uso seguro del aparato y comprendan los peligros asociados al uso del mismo. Impida que los niños utilicen el aparato como juguete. Asegúrese de que los niños estén bajo vigilancia cuando limpien el aparato o realicen actividades de mantenimiento.

► **Nota**

Para más protección, se recomienda integrar en el sistema eléctrico doméstico un interruptor de corriente de defecto con una corriente de ruptura nominal inferior a 30 mA.

Le recomendamos para proteger los circuitos eléctricos, que encargue a un electricista la instalación de un interruptor protector de defecto de corriente.

Disposiciones legales y normas

El sistema de protección de este aparato eléctrico cumple con las reglas reconocidas de la técnica y con la ley alemana de seguridad de equipos. Los indicadores luminosos (LEDs o luz IR) cumplen con la clase de láser 1 según IEC 60825-1.

El producto cumple con la Directiva de Marcas CE.



Volumen de suministro

Modelos OT10 / OT11 / OT11B

- Aparato para cortar el pelo [8]
- Tipo OT11B adicionalmente con iluminación LED [6]
- Adaptador de corriente [4]
- Unidad de carga [11]
- Peine adaptable, regulable [3]
- Cepillo de limpieza [1]
- Frasco de aceite [2]
- Folleto de instrucciones

Sólo modelo OT10

Herramienta opcional:

- Llave macho hexagonal (entrecaras: 2 mm) [15]

► **Nota**

La marca de identificación del modelo se encuentra en la parte inferior del aparato.

Preparativos

Colocación de la unidad de carga

1. Coloque el cable de conexión de manera que se eviten peligros de tropiezo.
2. Mantenga los cables alejados de superficies calientes.

Carga del acumulador

► **Nota**

El aparato tiene incorporado un acumulador NiMH moderno de gran capacidad y poco peso. No presenta "efecto memoria" y, cuando se maneja adecuadamente, tiene una larga durabilidad.

Cuando sale de fábrica, el aparato no está listo para ser utilizado con el acumulador. Cargue el acumulador durante dos horas antes de la primera puesta en funcionamiento. El tiempo de carga del acumulador es normalmente de una hora.

1. Asegúrese de que la tensión de alimentación indicada en la placa de características del adaptador de corriente [4] corresponda con la tensión de red.
2. Enchufe el adaptador de corriente a una toma de corriente.
3. Coloque el aparato en la unidad de carga [11]. Antes, quite del aparato el peine adaptable [3].
4. Asegúrese de que el conmutador deslizante On/Off [7] esté en la posición 0 (carga).

El indicador LED [9] muestra el nivel de carga del acumulador:

LED	Nivel de carga del acumulador
Parpadea	Proceso de carga
Encendido	El proceso de carga ha terminado.

Cómo quitar la etiqueta del cabezal de cuchillas

Antes de utilizar el aparato por primera vez, quite la etiqueta fijada en la parte inferior del cabezal de cuchillas. Esta etiqueta indica si es posible desmontar el cabezal de cuchillas sin necesidad de utilizar herramientas.

Manejo

Cómo ajustar la longitud de corte

Sin peine adaptable

Sin peine adaptable, la longitud de corte es de 0,3 mm.

Con peine adaptable

El peine adaptable y regulable [3] dispone de cuatro posiciones de enclavamiento de entre 3 y 6 mm para colocación sobre el cabezal de cuchillas [5].

Asegúrese antes de activar el aparato de que el peine esté correctamente ajustado a la longitud de corte deseada.

Sólo utilice los accesorios originales.

Activación y desactivación del aparato

Active el conmutador deslizante On/Off [7].

Posición del conmutador	Estado de funcionamiento del aparato
0	El aparato está desconectado.
1	El aparato está conectado.

Modelo OT11B

Si utiliza el modelo OT11B, el indicador LED asociado a la zona de corte [6] se encenderá y se apagará automáticamente.

Limpieza, entretenimiento, almacenamiento

Limpieza del aparato

1. Limpie el aparato con un paño húmedo, si es necesario.
2. Séquelo después con un paño limpio seco.

Limpieza del cabezal de cuchillas

Para reducir el desgaste del motor y cabezal de cuchillas es necesario limpiar el cabezal de cuchillas periódicamente y lubricar los puntos de rozamiento.

En condiciones de uso normal se recomienda someter el cabezal de cuchillas diariamente a una limpieza y lubricación a fondo:

1. Desconecte el aparato.
2. Elimine cuidadosamente los pelos utilizando el cepillo de limpieza.
3. Desmonte periódicamente el cabezal de cuchillas [5] y elimine los restos de pelo.

Modelo OT10

4. Suelte el tornillo de cabeza con hexágono interior [16] del cabezal de cuchillas [5]. Utilice para ello la llave macho hexagonal [15] [B]. La llave macho hexagonal se encuentra en la parte inferior de la unidad de carga.
5. Presione desde la parte inferior contra el cabezal de cuchillas y quítelo del aparato [B].

Limpieza de los contactos de carga

El ensuciamiento de los contactos de carga [10] del aparato o de la unidad de carga puede afectar o interrumpir el proceso de carga del acumulador.

1. Limpie los contactos con un trapo empapado de alcohol o gasolina de lavado.
2. Seque los contactos de carga. Asegúrese antes de utilizar la unidad de carga de que los contactos de carga estén limpios y secos.

Almacenamiento

Si no utiliza el aparato durante mucho tiempo, cargue el acumulador y guárdelo en un lugar apropiado.

Se recomienda guardarlo en un lugar frío, seco y protegido contra heladas (la temperatura ideal es de 15 °C).

Esta forma de almacenamiento es la más apropiada para alargar la vida del acumulador.

No enrolle el cable de conexión alrededor del aparato para no dañar el cable.

Modelos OT11 / OT11B

6. Presione desde la parte superior contra el cabezal de cuchillas y quítelo del aparato [A].
7. Utilice el cepillo de limpieza [1] para eliminar restos de pelo retenidos en los espacios entre las placas de corte [C] .

Lubricación del cabezal de cuchillas

Es necesario lubricar diariamente la dentadura y superficie de contacto del cabezal de cuchillas (véase la figura [D]).

1. Antes de lubricarlas, utilice el cepillo de limpieza para eliminar restos de pelo.
2. Sólo utilice el aceite [2] suministrado con el producto.

Cuando el frasco de aceite esté vacío, por favor diríjase al servicio técnico de su proveedor para pedir otro nuevo (véase el dorso de este folleto de instrucciones).

► Nota

Si utiliza el modelo OT11B, asegúrese de que el aceite no penetre en el espacio entre la caja y los indicadores LED [6].

Corrección de fallos

Qué hay que hacer cuando ...

Fallo	Remedio
... no es posible activar el aparato	<ul style="list-style-type: none"> Si el acumulador está vacío, coloque el aparato en la unidad de carga [11].
... el cabezal de cuchillas tira de los pelos	<ul style="list-style-type: none"> Limpie y lubrifique el cabezal de cuchillas [5].
... el LED de carga está apagado	<ul style="list-style-type: none"> Limpie los contactos de carga [10]. El aparato no está colocado correctamente en la unidad de carga. Corrija la posición. Conecte el adaptador de corriente correctamente. Defecto del cable de conexión o adaptador de corriente. El acumulador está totalmente descargado y necesita más tiempo que en condiciones de funcionamiento normales.

El aparato se desconecta automáticamente

... el aparato se desconecta automáticamente	<ul style="list-style-type: none"> Si el acumulador está vacío, coloque el aparato en la unidad de carga [11].
... la duración del acumulador cargado es mucho más corta que antes	<ul style="list-style-type: none"> Limpie y lubrifique el cabezal de cuchillas (véase las figuras [C] y [D]).
... ya no es posible cargar el acumulador	<ul style="list-style-type: none"> Envíe el aparato a la dirección del servicio posventa indicada en el dorso del presente folleto de instrucciones.

► Nota

Según el estado actual de la técnica, los componentes de los aparatos electrotécnicos sufren un mayor o menor desgaste en función del tiempo de uso. Para garantizar el funcionamiento correcto y seguro del aparato, le recomendamos que lo someta periódicamente a una inspección realizada por el servicio técnico (véase el dorso de este folleto de instrucciones).

Repuestos

Sólo utilice los repuestos originales ofrecidos por el servicio posventa (véase el dorso de este folleto de instrucciones). En caso de daño o aplastamiento del cable de conexión es necesario cambiar el cable y adaptador de corriente.

Datos técnicos

Modelos	OT10 / OT11 / OT11B
Adaptador de corriente	Tipo 153015 o T10
Entrada	100 - 240 VAC; 50 / 60 Hz
Salida	4,0 VDC / 700 mA
Longitud de corte	0,3 mm
Peine adaptable, regulable	3 - 6 mm
Medidas (longitud x anchura x altura)	146 x 30 x 38 mm
Peso (aparato)	120 g
Nivel de intensidad acústica (LpA)	< 70 dB(A)
Valor total de la vibración (a _h)	< 2,5 m/s ²

Eliminación de residuos



El aparato está etiquetado según la Directiva 2002/96/CE sobre residuos de aparatos eléctricos y electrónicos (RAEE).

Cuando el aparato eléctrico llegue al final de su vida útil, no deberá eliminarse junto con la basura doméstica normal/cubo de residuos sólidos urbanos, sino que deberá entregarse en el correspondiente punto de recogida de equipos eléctricos y electrónicos.

Esto se aplica también a aparatos eléctricos utilizados en el sector privado, p. ej., para fines comerciales o artesanales.

El centro local de gestión de residuos le puede informar sobre la forma más adecuada de eliminar el aparato, siempre que las empresas locales competentes de gestión de residuos permitan recoger también aparatos eléctricos comerciales.

El símbolo impreso en el producto, folleto de instrucciones o embalaje indica su adecuada eliminación. Para la reciclabilidad de los materiales utilizados, véase las marcas correspondientes. El reciclaje, la reutilización material u otras formas de reciclaje de aparatos usados aportan una contribución importante a la protección del medio ambiente.

Desmontaje del acumulador

1. Desenchufe el aparato de la toma de corriente.
2. Quite el cabezal de cuchillas [5].

Modelo OT10

3. Suelte el tornillo del cabezal de cuchillas utilizando la llave macho hexagonal suministrado [15].

Modelos OT11 / OT11B

3. Presione desde la parte superior contra el cabezal de cuchillas y quítelo del aparato.
4. Desmonte los dos tornillos [14] en la parte inferior del cabezal de cuchillas [5] y el tornillo [14] en la parte inferior del aparato [13]. Para ello, utilice un destornillador Torx T6 (no incluido en el volumen de suministro).
5. Quite la parte inferior de la caja [13].
6. Utilice un destornillador para arrancar el acumulador [12] y elimínelo siguiendo la normativa vigente.

Protección medioambiental

El aparato eléctrico contiene un acumulador NiMH. Para eliminar el acumulador correctamente hay que desmontarlo (véase el párrafo "Desmontaje del acumulador").

El acumulador no debe tirarse a la basura normal.

Si ya no lo utiliza, lleve el aparato al establecimiento de venta donde lo compró o llévelo a un centro de recogida de residuos del servicio municipal de gestión de basuras (desechería, ecoparque, etc.).

Garantía

Estimado/a cliente:

Le concedemos una garantía legal de un año para nuestros productos, contado a partir de la fecha de compra. La garantía cubre todos los defectos de mano de obra y/o materiales.

- En el caso de que, en contra de lo esperado, se produzca un defecto durante el plazo de garantía, le garantizamos la reparación del aparato o, según nuestra elección, su cambio por otro en perfectas condiciones de funcionamiento.
- El servicio de garantía sólo se prestará previa presentación del comprobante de pago o la factura original. Guarde la factura original como comprobante de la fecha de compra.
- La garantía no cubre daños causados por uso inadecuado y desgaste por uso normal.
- La garantía no se aplicará tampoco en el caso de que la reparación del aparato sea realizada por empresas no autorizadas o cuando para el montaje se utilicen productos de otros fabricantes.
- La garantía no cubre defectos que afecten sólo de forma insignificante al valor del producto y su idoneidad para el uso.
- Quedan excluidos de la garantía todos los componentes sujetos a desgaste normal. Los componentes típicos que están sujetos a desgaste normal y, por consiguiente, no están incluidos en la garantía son, en particular: el acumulador y el cabezal de cuchillas.
- En caso de garantía, le rogamos contactar con el servicio posventa (para la dirección del servicio posventa, véase el dorso de este folleto de instrucciones).

TECHNOLOGY
MEETS
BEAUTY

Surprise
hh simonsen®
Yourself



[Technology meets beauty]
www.hhsimonsen.dk